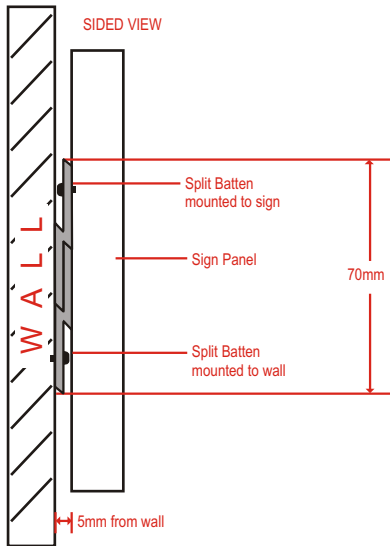
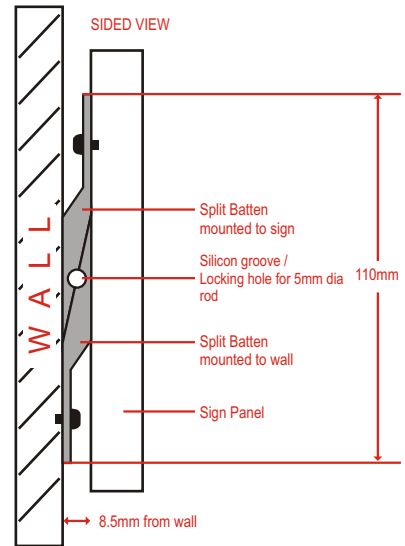


SignLink Split Batten Vs MDF Split Batten

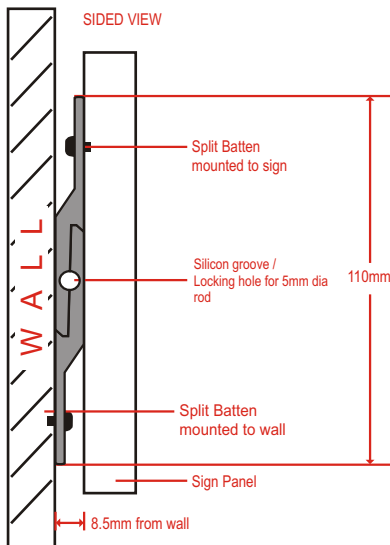
LB Model



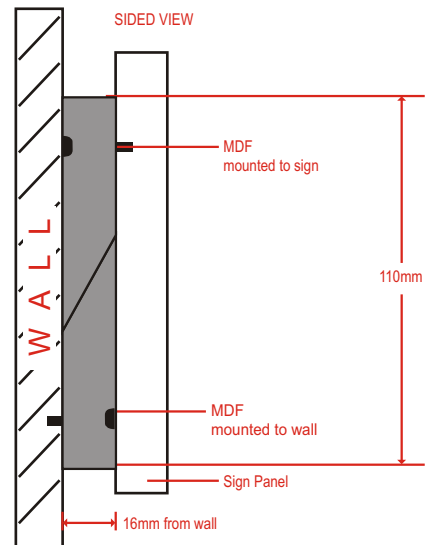
HD 1 Model



HD 2 Model (Available Feb 2011)



MDF Type



Overview

SignLink Split Battens are the ideal fixing mechanism for mounting a wide variety of panels, fixtures, signs and displays to walls. They are self mating sections which mount on the wall and across the back of the item being installed. The blades of each section interlock together forming a very secure "wedge" connection once the item is mounted in place. They enable the installer to securely mount the item to the wall. If the wall is gyprock one can fix through the gyprock and into the internal frame section of the wall ensuring a secure fixing. They also enable large items to be installed by one man thus saving precious installation dollars. The SignLink Split Batten range is comprised of three models (as illustrated above). They are a much better proposition than custom making split battens from MDF because:-



SIGNLINK SPLIT BATTEN VS MDF SPLIT BATTEN

Mounting distance off wall

The SignLink Split Battens minimise the distance the items are mounted off the wall. The LB model mounts 5mm off the wall. The HD 1 and HD 2 mount 8.5mm off the wall. Most MDF models are in the order of 16mm off the wall. If there is a significant gap between the wall and the back of the item, the appearance and security of the item can be compromised. The shadowline is markedly reduced with SignLink Split Battens

Strength

The SignLink Split Battens are all aluminium extrusions. They are capable of supporting heavy items for example; the HD 1 and HD 2 models are capable of securing decorative marble slabs used for wall cladding. MDF, as its title suggests, is only medium density fibre board made from wood waste fibre glued together. Our aluminium blades are a far denser/stronger material. The SignLink split battens are suitable for both internal and external use. MDF is not suitable for wet areas or external applications.

Functionality

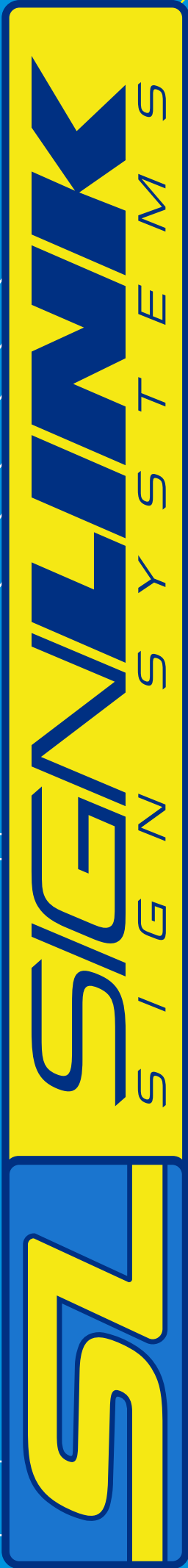
The LB and HD 2 models have been designed with internal shoulders which results in both battens locking firmly into place, preventing any further movement down the wall once they are under load. MDF battens do not offer this protection. The split batten offers the major advantage of being able to readily remove heavy items without causing any wall damage. For example, cabinets with electrical appliances inside where the cabinet needs to be removed to allow access to electrical wiring in the wall behind. The cabinet can simply be unhooked and removed. If the cabinet was mounted with mechanical fixings and adhesives then the wall would be damaged. The HD1 and HD2 models offer the option of being permanently fixed by means of a silicon groove or alternatively they can be lockable by inserting a 5mm Dia threaded rod which is removed with either a punch or magnet

Toxicological Information

Cutting MDF requires numerous pieces of safety equipment due to possible exposure to dangerous elements including; Wood dust, formaldehyde & Paraffin wax. Such exposure is known to cause damage to skin, eyes and respiratory system. Our aluminium systems have no toxicological effects.

SignLink Sign Systems is a 100% Australian owned and operated sign systems manufacturer. We hold stock of all items and are able to supply on demand without delay.

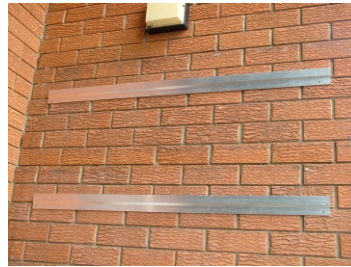
SignLink Split Battens are a registered propriety product exclusive to SignLink



Applications for SignLink Split Battens

If you need a hidden secure fixing, then "SignLink Split Batten" is perfect for your industry.

Shop fitters, office fit outs, joiners, wall cladding, sign industry, installers, builders, mirror supplies, whiteboard/pinboard suppliers, picture frame/artwork, entertainment units, plasma tv's, pre packed kitchens, the possibilities are endless...



Mounted with Signlink Split Batten



Artistic displays



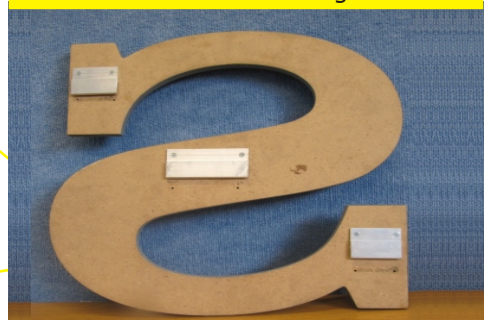
Pin boards/White boards



Entertainment Units



Secure router cut lettering



Mirrors and wall fixtures



Kitchen cupboards



Secured to wall

