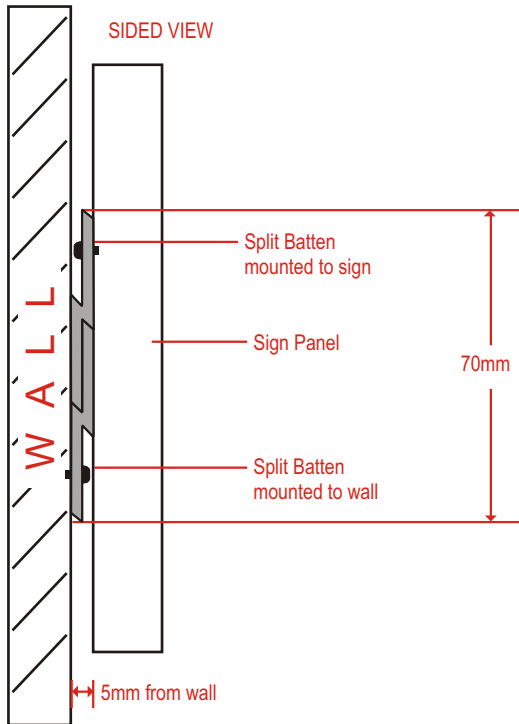


SignLink Aluminium Split Batten (LB)

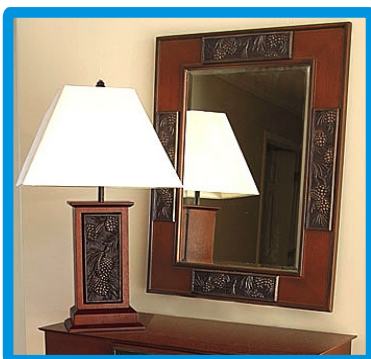


Overview

SignLink aluminium Split Batten is the ideal hidden hanging mechanism because:

- Shadow Line: 5mm distance between the wall and the mounted item
- Strength: High grade aluminium capable of supporting heavy load
- Functionality: Just cut to size and its ready to go. Only requires one man for installation
- No movement: Interlocking internal shoulders, locking item in place

Possible applications shown below:



Mirrors

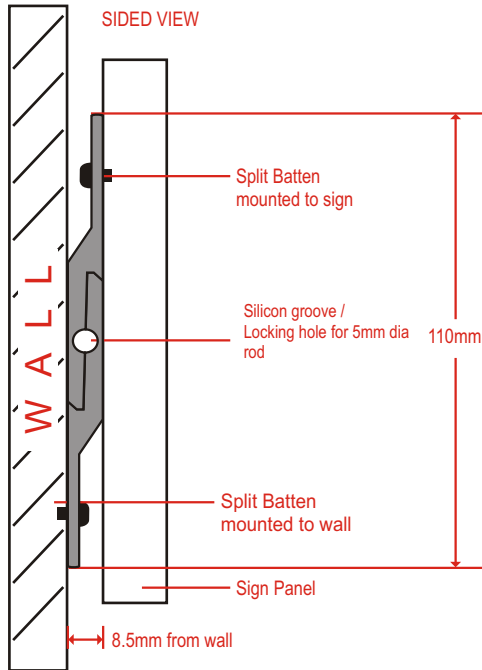


Whiteboards



Artworks

SignLink Aluminium Split Batten (HD2)



Protect your valuables and prevent theft!

- Hidden secure hanging system that can be installed so that the item is removable or permanently fixed preventing theft
- HD2 is designed with internal shoulders which interlock together preventing movement down the wall when under load
- Valuable items can be securely fixed permanently in several different ways: Silicon into locking groove, 5mm dia threaded rod through locking groove or 6mm grub screw inserted into either end of the split batten
- High grade aluminium together with robust design make it capable of supporting heavy loads (ie marble wall cladding etc), producing a minimal shadow line with only 8.5mm gap between the item and the wall
- The weather resistant characteristics of the aluminium makes SignLink Split Batten HD2 suitable for both internal and external use.



5mm dia threaded rod



Secured using HD2



6mm grub screw